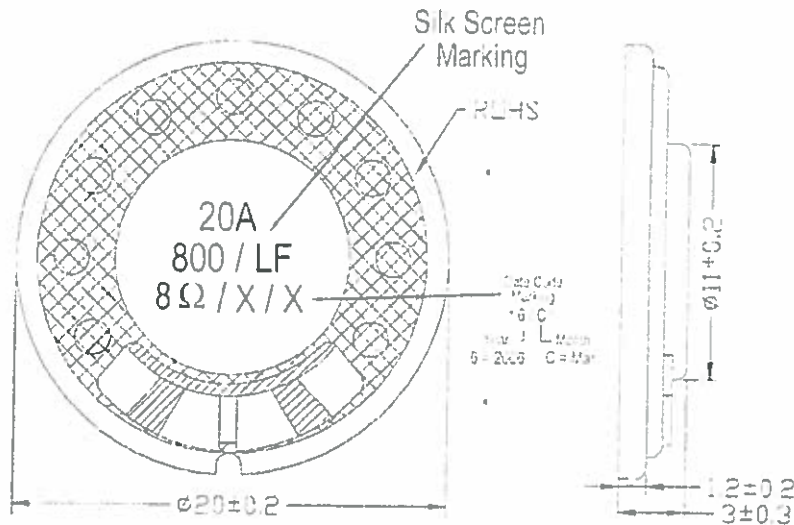


SCOPE: This specification applies to Mylar speaker TRS-20008DB

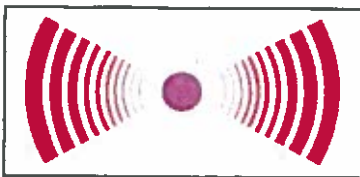
SPECIFICATIONS:

No.	Item	Unit	Specification	Condition
1	Shape	Round		
2	Magnet(N35)	mm	8.0 X1.0	
3	Diameter	mm	20	
4	Height	mm	3.0 +/-0.3	
5	Back Dia.	mm	11 +/- 0.2	
6	Resonant frequency	Hz	800 +/- 20%	
7	Response frequency	Hz	20.0K	
8	Rated power	W	0.3	
9	Max power	W	0.5	
10	Output	dB	80 +/-3.0	1W (1m) AVE0.8K, 1.0K,1.2K, 1.5K (Hz)
11	Standard impedance	Ohm	8 +/- 15%	@ 1V
12	Terminal		NIL	
13	Buzzer & rattles		1.55 V Sine Wave	
14	Distortion		5% Max	.03W, 1.0KHz
15	Operating temp	C	-20 ~ +55.0	
16	Housing material		Metal	
17	Diaphragm		Mylar	
18	Weight	g	2.4	

DIMENSIONS:



Transducers USA
Confidential and Proprietary



Transducers USA
1400 Howard Street
Elk Grove, IL 60007
Toll Free: 888-921-6400 FAX: 847-956-1950
www.tusainc.com info@tusainc.com

All dimensions are in MM unless otherwise specified

Drawing Number: TRS-20008DB	Mylar Speaker
Date: 03/04/2006	THE INFORMATION DISCLOSED HEREIN WAS ORIGINATED BY AND IS THE PROPERTY OF TRANSDUCERS USA, INC AND EXCEPT FOR USE EXPRESSLY GRANTED TO THE UNITED STATES GOVERNMENT TRANSDUCERS USA, INC RESERVES ALL PATENT PROPRIETARY DESIGN, USE, SALE, MANUFACTURING AND PRODUCTION RIGHTS THERETO. THIS DOES NOT APPLY TO VENDOR