

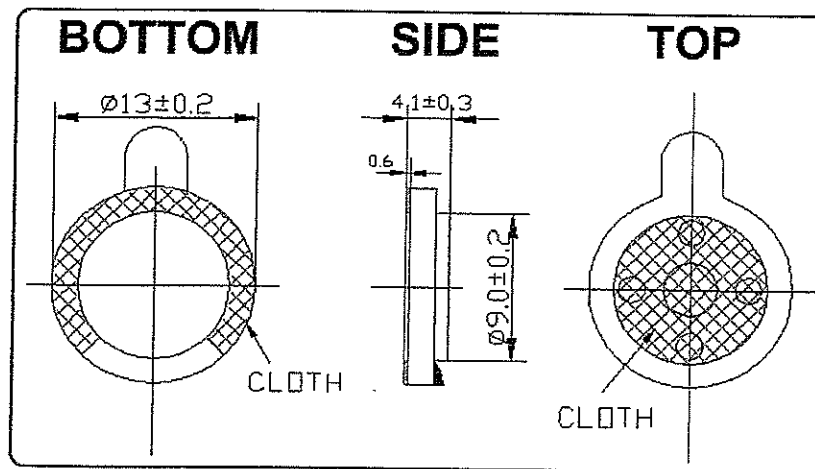
SCOPE. This specification applies to Speaker TRS-13008MC

SPECIFICATIONS.

No.	Item	Unit	Standard
1	Sound Pressure Level	dBA	87 +/- 3
2	Resonant frequency	Hz	1,200 +/-20%
3	Frequency Range	Hz	Fo - 20,000
4	Rated Impedance	Ohm	8 +/-15%
5	Rated Power	W	0.01
6	Max Power	W	0.02
7	Operating Temperature	C	-30 to + 70
8	Storage Temperature	C	-40 to +85
9	Distortion @ 1KHZ @ rated Power		<5%
10	Magnet		7.2* 1.2mm NdFeB
11	Diaphragm material		Mylar
12	Frame		Metal

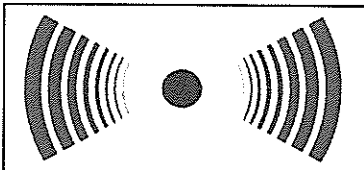
* Tested at 0.1W 0.1m average 0.8K 1.0K 1.2K 1.5K

DIMENSIONS.



Tolerance: ±0.5mm except specified

Transducers USA
Confidential and Proprietary



Transducers USA
1400 Howard Street
Elk Grove, IL 60007
Toll Free: 888-921-6400 FAX: 847-956-1950
www.tusainc.com info@tusainc.com

All dimensions are in MM unless otherwise specified

Drawing Number:

TRS-13008MC

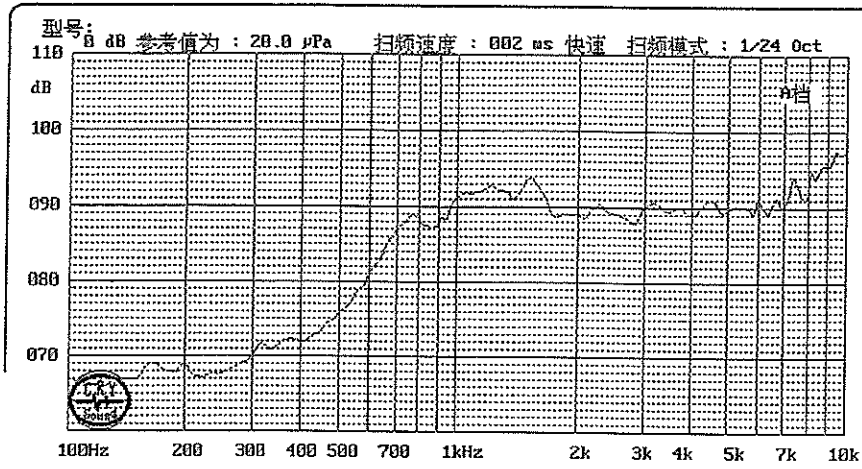
SPEAKER 13mm SMT
1 of 2

Date:

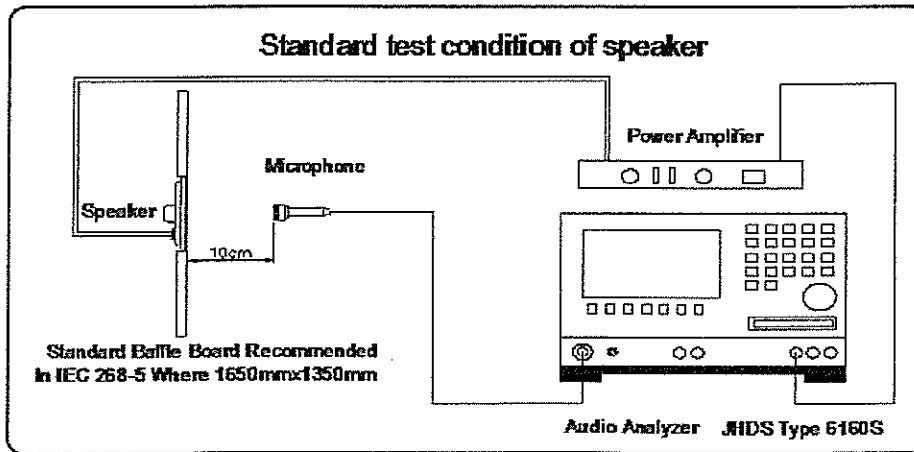
01/17/2014

THE INFORMATION DISCLOSED HEREIN WAS ORIGINATED BY AND IS THE PROPERTY OF TRANSDUCERS USA, INC. AND EXCEPT FOR USE EXPRESSLY GRANTED TO THE UNITED STATES GOVERNMENT, TRANSDUCERS USA, INC. RESERVES ALL PATENT PROPRIETARY DESIGN, USE, SALE, MANUFACTURING AND PRODUCTION RIGHTS THERETO. THIS DOES NOT APPLY TO VENDOR

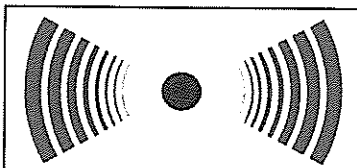
FREQUENCY RESPONSE CURVE.



MEASURING CONDITION



Transducers USA
Confidential and Proprietary



Transducers USA
1400 Howard Street
Elk Grove, IL 60007
Toll Free: 888-921-6400 FAX: 847-956-1950
www.tusainc.com info@tusainc.com

All dimensions are in MM unless otherwise specified

Drawing Number:

TRS-13008MC

SPEAKER 13mm SMT
2 of 2

Date:

01/17/2014

THE INFORMATION DISCLOSED HEREIN WAS ORIGINATED BY AND IS THE PROPERTY OF TRANSDUCERS USA, INC. AND EXCEPT FOR USE EXPRESSLY GRANTED TO THE UNITED STATES GOVERNMENT, TRANSDUCERS USA, INC. RESERVES ALL PATENT PROPRIETARY DESIGN, USE, SALE, MANUFACTURING AND PRODUCTION RIGHTS THERETO. THIS DOES NOT APPLY TO VENDOR