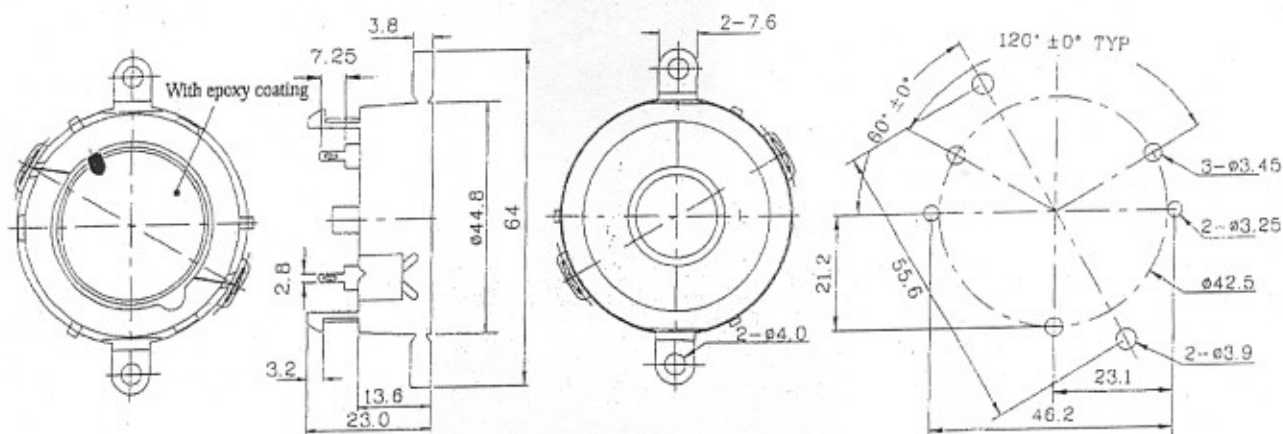


## B. SPECIFICATION 規格

No.	Item	Unit	Specification	Condition	
1	Operating frequency 操作頻率	KHz	2.2~4.0		
2	Operating Voltage MAX 最大操作電壓	Vp-p	Sine Wave 85Vp-p	Square Wave 50Vp-p	Continuous 連續
3	Operating Voltage MAX 最大操作電壓	Vp-p	Sine Wave 100Vp-p	Square Wave 60Vp-p	Intermittent 間歇
4	Capacitance 電容量	$\mu$ F	0.235 $\pm$ 30%	At 120Hz/1V	
5	Sound pressure level 輸出音壓	dB	MIN. 100	At 30cm/12Vp-p, Sine wave, 3.0KHz	
6	Operating temp. 操作溫度	$^{\circ}$ C	-40~+105		
7	Storage temp. 儲存溫度	$^{\circ}$ C	-40~+105		
8	Dimension 尺寸	mm	$\psi$ 44.8XH13.6	See appearance drawing 請參照外觀尺寸圖	
9	Weight (MAX) 重量	gram	11.5		
10	Material 材質		PBT+15%GLASS UL94 V-0 (BLACK)		
11	Terminal 端子		Pin type (鍍化金/Plating Au)	See appearance drawing 請參照外觀尺寸圖	
12	Environmental Protection Regulation 環保法規		RoHS		



### Specifications and Materials

### Transducers USA

1400 Howard St.  
Elk Grove Village, IL 60007  
847 956-1920  
info@tusainc.com

All dimensions are in MM unless otherwise specified

**Transducers USA**  
**Confidential &**  
**Proprietary**

Part Number:  
TRTP-4525P(G)

Title:  
Piezo Speaker

Date: 6/24/2002