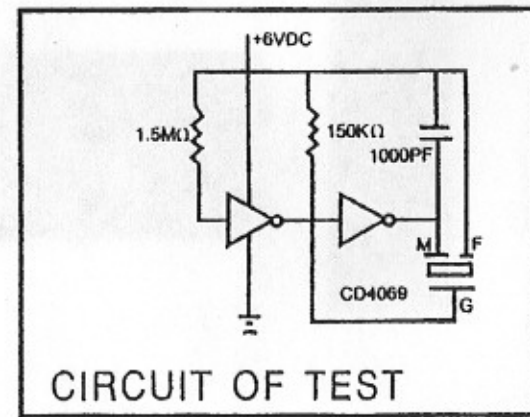


Transducers USA
Confidential &
Proprietary

Parameter	Value	Units
Rated Voltage	9	Vp-p
Operating Voltage	6 - 16	Vp-p
Current Consumption	20 Max. @ 9V	mA
Sound Pressure Level	85 @9V @1 meter	dBA
Resonant Frequency	3.2 +/- 0.5	KHz.
Operating Temp. Range	-20 to +80	°C
Storage Temp. Range	-30 to +100	°C



TRTP-4034PF Piezo Audio Transducer		
SCALE: Not to Scale	APPROVED BY:	DRAWN BY EDP
DATE: 1/00		REVISED
Transducers-USA Elk Grove Village, IL. USA		
		DRAWING NUMBER