

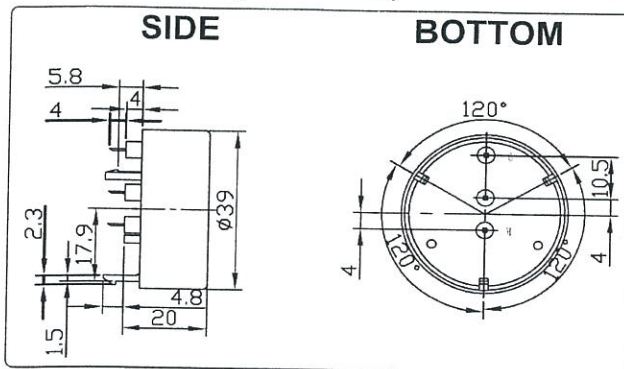
This specification applies to Piezo Transducer, **TRTP-3909FP**

1. SPECIFICATIONS

PARAMETERS	VALUES	UNITS
*MIN SOUND PRESSURE LEVEL AT 30 CM	95	dB
RATED VOLTAGE	9	Vdc
OPERATING VOLTAGE	6 – 12	Vdc
RESONANCE FREQUENCY	3,400 ± 500	Hz
*TYPICAL OPERATING CURRENT	20	mA
OPERATING TEMPERATURE	-20 to +70	°C
STORAGE TEMPERATURE	-30 to +80	°C
tone	Continuous	-
HOUSING	Noryl	-
TERMINAL MATERIAL	Beryllium Bronze	-
WEIGHT	12	g

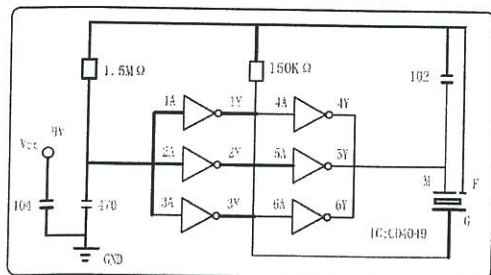
*Value applying rated voltage with recommended circuit

2. DIMENSIONS (unit in mm)

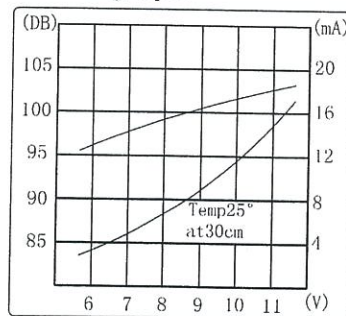


Tolerance: ±0.5mm except specified

3. RECOMMENDED CIRCUIT



4. SPL graph



All specifications subject to change without notice

Transducers USA
Confidential and Proprietary



Transducers USA
1400 Howard Street
Elk Grove, IL 60007
Toll Free: 888-921-6400 FAX: 847-956-1950
www.tusainc.com info@tusainc.com

All dimensions are in MM unless otherwise specified

Drawing Number:
TRTR-3909FP

**Self Drive Piezo
Transducer**

Date:
08/27/12

THE INFORMATION DISCLOSED HEREIN WAS ORIGINATED BY AND IS THE PROPERTY OF TRANSDUCERS USA, INC. AND EXCEPT FOR USE EXPRESSLY GRANTED TO THE UNITED STATES GOVERNMENT, TRANSDUCERS USA, INC. RESERVES ALL PATENT PROPRIETARY DESIGN, USE, SALE, MANUFACTURING AND PRODUCTION RIGHTS THERETO. THIS DOES NOT APPLY TO VENDOR