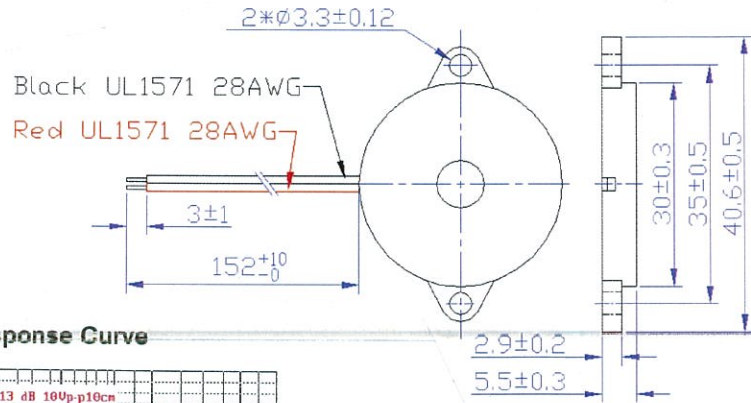


SCOPE: This specification applies to TRTP-3045LHD(G)
SPECIFICATIONS:

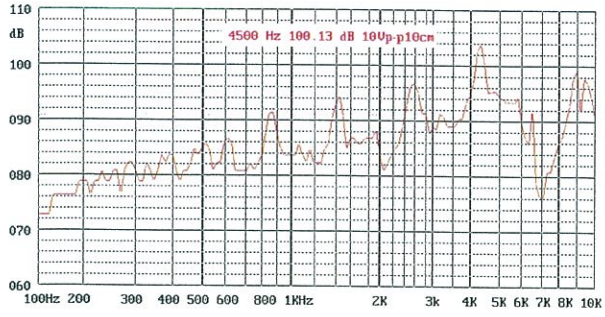
Rated Voltage	10 Vp-p square wave
Operating Voltage	1 ~ 50 Vp-p
Operating Frequency	4,500+/-500Hz
Typical Sound Output	97dB min. at 10Vp-p 10cm 4.5KHz 25 °C
Rated Current	11mA max. at 10Vp-p 4.5KHz 25 °C
Capacitance	18,000 +/-30% pF at 100Hz 1Vrms
Operating Temp.	-20 °C to +70 °C
Storage Temperature	-30 °C to +80 °C
Termination	Description 2 Wires, UL1571 AWG28#
Construction Materials	Termination Strength Maximum of 9.8N load pull test, applied to each terminal in axial direction for 10 seconds
	Case Plastic, Noryl PX9406 (Black) made by GE Plastics, UL 94-V0 (UL No.: E207780)
	Diaphragm Brass Disc
Weight (Typical)	4 g
Reliability	*Life Test At 10 Vp-p in room temperature, continuously for 1000 hours
	*High Temperature No function at +80+/-2 °C for 240 hours; Function at +70+/- ± 2 °C for 240 hours
	*Low Temperature No function at -30+/-2 °C for 240 hours; Function at -20+/-2 °C for 240 hours
	*Humidity +40+/-2 °C, 95+/-5%RH, 240 hours
	*Thermal Shock -20+/-2 °C 0.5 hr → +25+/-2 °C 0.25 hr → +70+/-2 °C 0.5 hr → +25+/-2 °C 0.25 hr. Temperature Go up or Drop time is 0.5 hr. 3 hrs per 1 cycle. Total is 5 cycles
	*Vibration 1.5mm with 10 to 50Hz of vibration frequency to each of 3 perpendicular directions for 2 hours
	*Shock 980m/s ² (=100g) shock for each mutually perpendicular directions, half sine wave, 3 times each
	*Drop Test Dropped naturally from 750mm height onto the surface of 10mm wooden board. 2 directions – upper and side of the part are applied
	*Soldering Heat Resistance Wires are immersed up to 1.5mm from sounder's body in solder bath of 350+/-5 °C for 3±0.5 seconds or 260+/-5 °C for 10+/-1 seconds
	**Solderability Wires are immersed in rosin for 5 seconds and then immersed in solder bath of 350+/-5 °C for 3+/-0.5 seconds.

Warranty
 * All specifications must be satisfied after the test (Recovery: 2 to 4 hrs of recovery under the standard condition after the removal from test chamber).
 **90% min. soldering pads shall be with solder.(except the edge of wire)

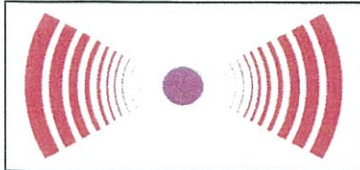
Dimensions (Unit:mm)



Frequency Response Curve



Transducers USA
 Confidential and Proprietary



Transducers USA
 1400 Howard Street
 Elk Grove, IL 60007
 Toll Free: 888-921-6400 FAX: 847-956-1950
www.tusainc.com info@tusainc.com

All dimensions are in MM unless otherwise specified

Drawing Number:
TRTP-3045LHD(G)

**Externally Driven
 Piezo Buzzer**

Date:
 2/7/2017

THE INFORMATION DISCLOSED HEREIN WAS ORIGINATED BY AND IS THE PROPERTY OF TRANSDUCERS USA, INC. AND EXCEPT FOR USE EXPRESSLY GRANTED TO THE UNITED STATES GOVERNMENT TRANSDUCERS USA, INC. RESERVES ALL PATENT PROPRIETARY DESIGN, USE, SALE, MANUFACTURING AND PRODUCTION RIGHTS THERETO. THIS DOES NOT APPLY TO VENDOR