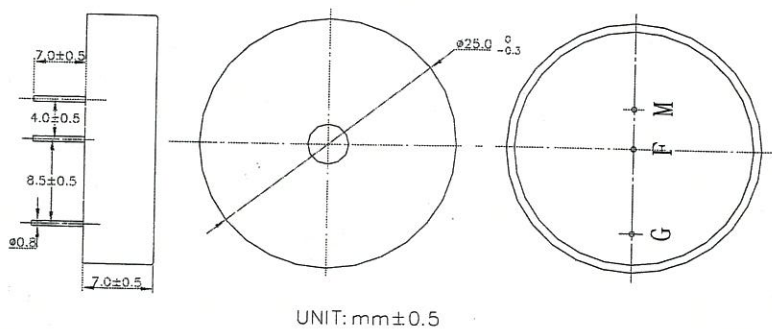


SCOPE: This specification applies to Piezo Buzzer TRTP-2530FP

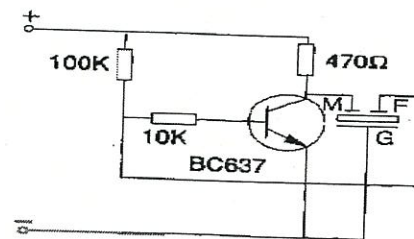
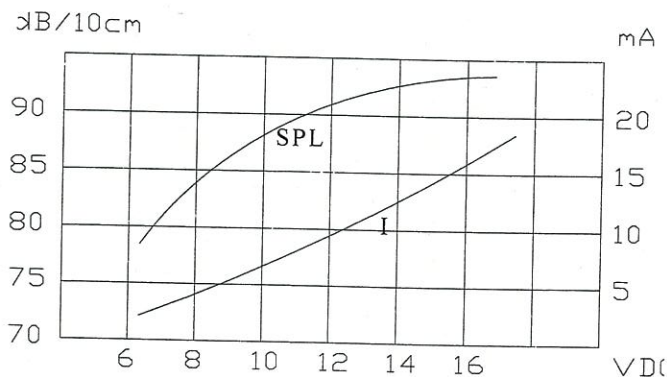
SPECIFICATIONS:

No.	Item	Unit	Specification	Condition
1	Operating Voltage Range	VDC	3 ~ 20	
2	Rated Voltage	VDC	12	
3	Current consumption	mA	Max 20	@ 12VDC
4	Frequency	Hz	3000 +/- 500	At Rated voltage
5	Sound Pressure Level	dB	90 Min	10 cm @ rated Voltage
6	Operating Temp	C	-20 ~ +60	
7	Storage Temp	C	-30 ~ +70	
8	Housing		ABS (Blue)	

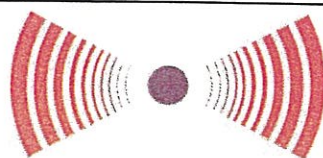
APPEARANCE DRAWING:



FREQUENCY RESPONSE / REFERENCE CIRCUIT



Transducers USA
Confidential and Proprietary



Transducers USA
1400 Howard Street
Elk Grove, IL 60007
Toll Free: 888-921-6400 FAX: 847-956-1950
www.tusainc.com info@tusainc.com

All dimensions are in MM unless otherwise specified

Drawing Number:
TRTP-2530FP

Piezo Buzzer w/ Feedback

Date:
12/01/2012

THE INFORMATION DISCLOSED HEREIN WAS ORIGINATED BY AND IS THE PROPERTY OF TRANSDUCERS USA, INC. AND EXCEPT FOR USE EXPRESSLY GRANTED TO THE UNITED STATES GOVERNMENT, TRANSDUCERS USA, INC. RESERVES ALL PATENT PROPRIETARY DESIGN, USE, SALE, MANUFACTURING AND PRODUCTION RIGHTS THERE TO. THIS DOES NOT APPLY TO VENDOR