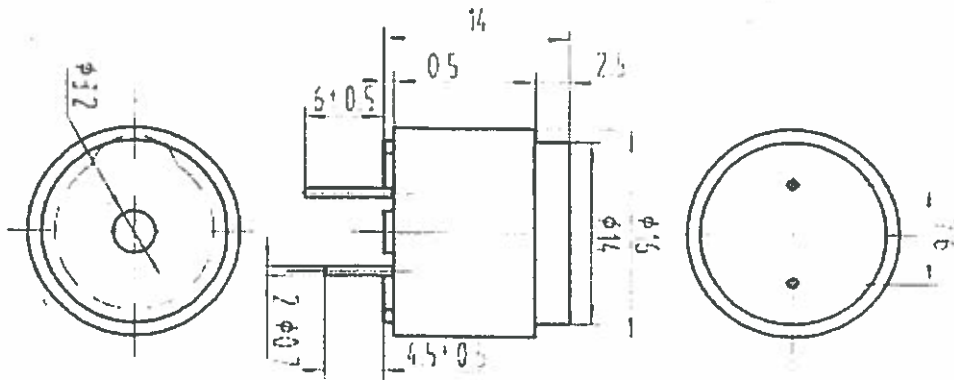


**SCOPE:** This specification applies to E/M buzzer TRTE-1601P(G)

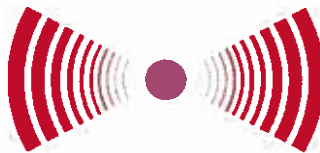
**SPECIFICATIONS:**

No.	Item	Unit	Specification	Condition
1	Rated voltage	Vo-p	1.5	
2	Operating Voltage	Vo-p	1 ~ 2	
3	Max rated current	mA	< 12	At rated voltage 2400Hz, 1/2 duty, Square wave
4	Coil resistance	ohm	16+/- 2	
5	Sound Pressure Level	dBA	88 Min	At rated voltage, 10cm
6	Resonant frequency	Hz	2048	
7	Tone		Continuous	
8	Operating Temperature	C	-20 ~ +60	
9	Storage Temperature	C	-30 ~ +70	
10	Weight	g	1.4	
11	Environmental		RoHS	

**DIMENSIONS:**



Transducers USA  
Confidential and Proprietary



Transducers USA  
1400 Howard Street  
Elk Grove, IL 60007  
Toll Free: 888-921-6400 FAX: 847-956-1950  
[www.tusainc.com](http://www.tusainc.com) info@tusainc.com

All dimensions are in MM unless otherwise specified

Drawing Number:  
**TRTE-1601P(G)**

**E/M External Buzzer**

Date:  
**12/24/2010**

THE INFORMATION DISCLOSED HEREIN WAS ORIGINATED BY AND IS THE PROPERTY OF TRANSDUCERS USA, INC AND EXCEPT FOR USE EXPRESSLY GRANTED TO THE UNITED STATES GOVERNMENT TRANSDUCERS USA, INC RESERVES ALL PATENT PROPRIETARY DESIGN, USE, SALE, MANUFACTURING AND PRODUCTION RIGHTS THERETO. THIS DOES NOT APPLY TO VENDOR