

SPECIFICATION

1. SCOPE

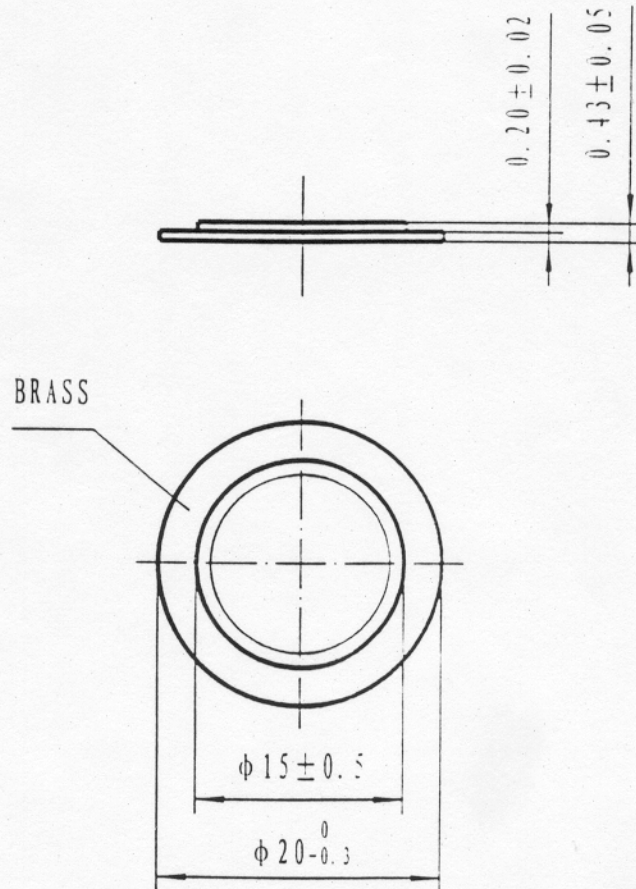
This specification is applied to the piezoelectric diaphragm.

2. SPECIFICATION

- 2.1 Resonant Frequency : 6.3 ± 0.6 KHz
- 2.2 Resonant Resistance : 300 Ω max
- 2.3 Capacitance : 12000 pF $\pm 30\%$ at 100Hz
- 2.4 Input Voltage : 30 Vp-p max
- 2.5 Operating Temperature : $-20 \sim +50$ $^{\circ}\text{C}$
- 2.6 Storage Temperature : $-20 \sim +70$ $^{\circ}\text{C}$

3. DIMENSION

as per figure



Specifications and Materials		UNIT: mm	Transducers USA 1400 Howard St. Elk Grove Village, IL 60007 847 956-1920 info@tusainc.com
		<small>All dimensions are in MM unless otherwise specified</small>	
		Part Number: TRPB-2063	Title: PIEZO CERAMIC BENDER
		Date: 6/24/2002	