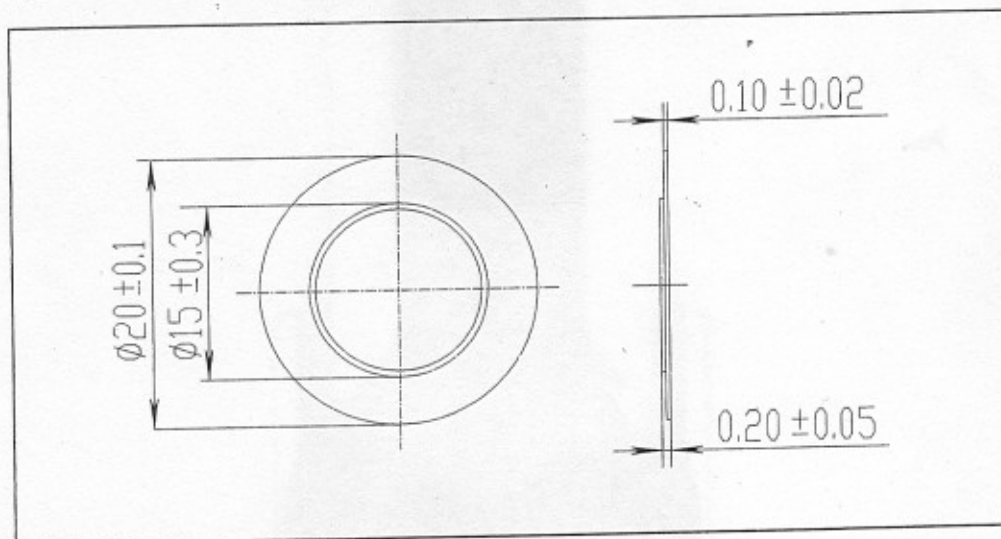


PIEZO ELEMENT SPECIFICATIONS

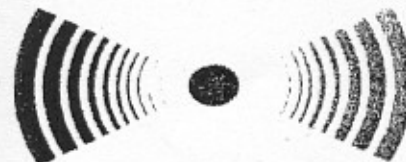
Resonant frequency	F_r	$3.0 \pm 0.5 \text{ kHz}$
Main electrostatic capacity	C_m	$23000 \pm 30\% \text{ pF at } 1000 \text{ Hz/1V } 25^\circ \text{C}$
Feedback electrostatic capacity	C_f	-----
Resonant impedance	R	$600 \Omega \text{ MAX.}$
Metal plate material		Brass
Metal plate diameter	mm	20.0 ± 0.10
Metal plate thickness	mm	0.10 ± 0.02
Ceramic diameter	mm	15.0 ± 0.30
Total height	mm	0.20 ± 0.05
Insulation resistance		$100 \text{ M} \Omega \text{ MIN. at } 50 \text{ V}$
Maximum input voltage		$30 \text{ V}_{\text{p-p}}$
Operating temperature range		$-20^\circ \text{C to } +70^\circ \text{C}$
Storage temperature range		$-30^\circ \text{C to } +80^\circ \text{C}$
Lead wires		-----

APPEARANCE AND DIMENSIONS:



Transducers USA

1400 Howard Street
 Elk Grove Village, IL 60007
 Toll Free: 800 956-1920 Fax: 847 956-1950
 www.tusainc.com info@tusainc.com



Drawing Number:
TRPB-2030

Title:
PIEZO BENDER

All dimensions are in MM unless otherwise specified

Date: Revised 4/10/10

THE INFORMATION DISCLOSED HEREIN WAS ORIGINATED BY AND IS THE PROPERTY OF TRANSDUCERS USA, INC. AND EXCEPT FOR USES EXPRESSLY GRANTED TO THE UNITED STATES GOVERNMENT, TRANSDUCERS USA, INC. RESERVES ALL PATENT PROPRIETARY DESIGN, USE SALE, MANUFACTURING AND REPRODUCTION RIGHTS THERETO. THIS DOES NOT APPLY TO VENDOR PARTS