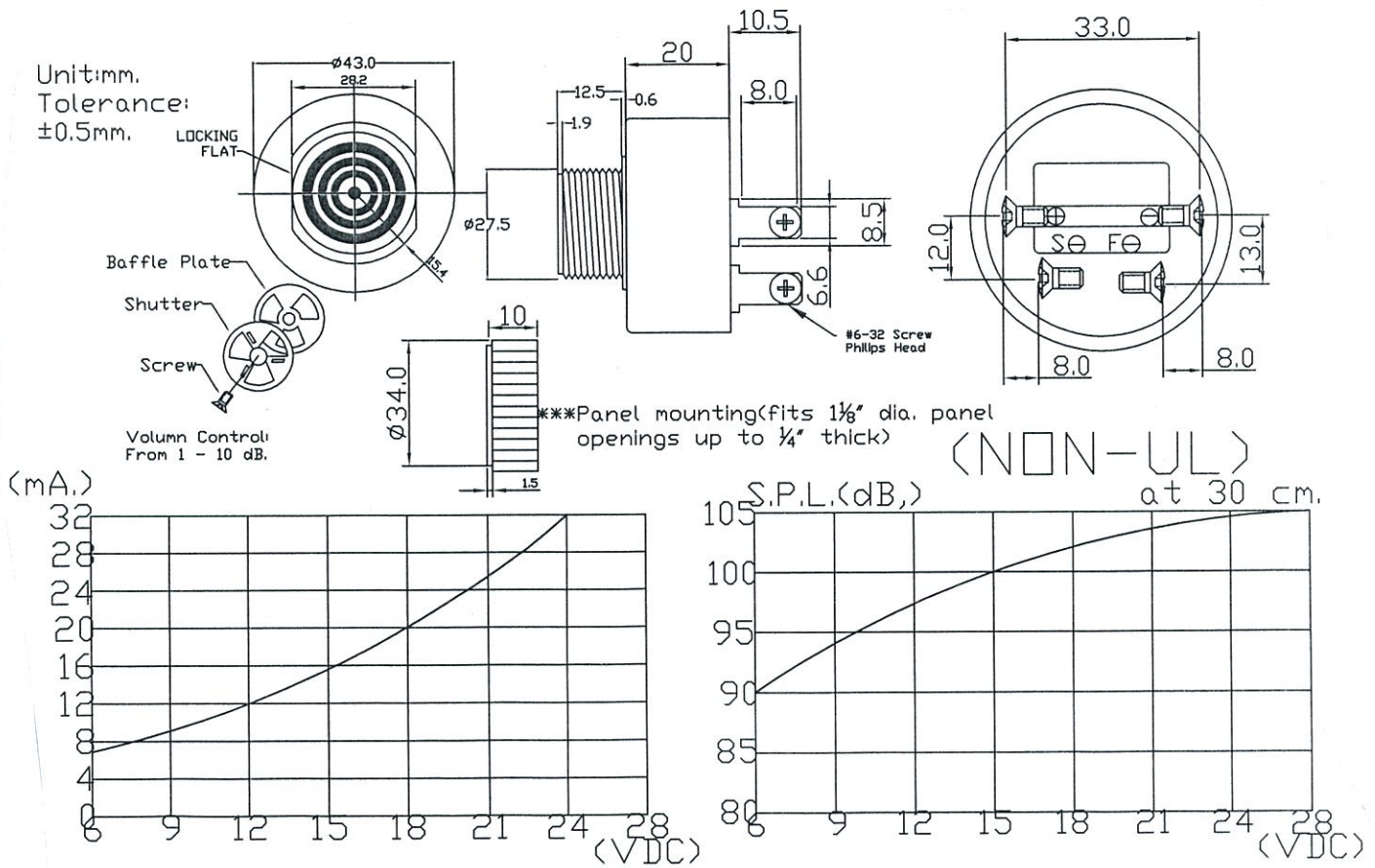
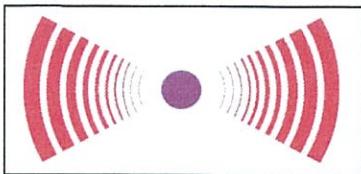


SCOPE: This specification applies Panel Mount Buzzer **TRIP-659SAS**

No.	Item	Unit	Specification	Condition
1	Oscillating frequency	Hz	2900 +/- 500	
2	Operating voltage	DC	6 ~ 28	
3	Sound pressure level	dB	92dB at 12VDC	@ 30cm
4	Tone		Continuous, Fast and Slow	
5	Operating Temp	C	-20 ~ +60	
6	Storage Temperature	C	-30 ~ +70	
7	Weight	g	40	
8	Environmental		RoHS	



Transducers USA
Confidential and Proprietary



Transducers USA
1400 Howard Street
Elk Grove, IL 60007
Toll Free: 888-921-6400 FAX: 847-956-1950
www.tusainc.com info@tusainc.com

All dimensions are in MM unless otherwise specified

Drawing Number:
TRIP-659SAS

Panel Mount Buzzer
With Volume control

Date:
06/01/2012

THE INFORMATION DISCLOSED HEREIN WAS ORIGINATED BY AND IS THE PROPERTY OF TRANSDUCERS USA, INC. AND EXCEPT FOR USE EXPRESSLY GRANTED TO THE UNITED STATES GOVERNMENT, TRANSDUCERS USA, INC. RESERVES ALL PATENT PROPRIETARY DESIGN, USE, SALE, MANUFACTURING AND PRODUCTION RIGHTS THERETO. THIS DOES NOT APPLY TO VENDOR