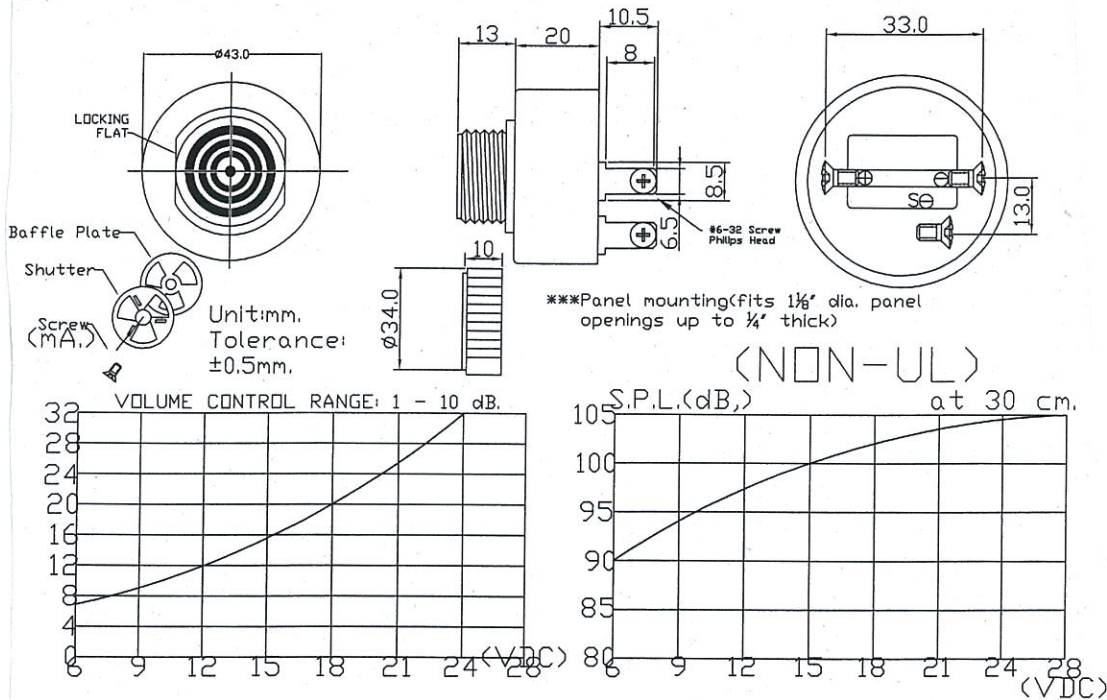


SCOPE This specification applies to Piezo Buzzer, TRIP-657SAS

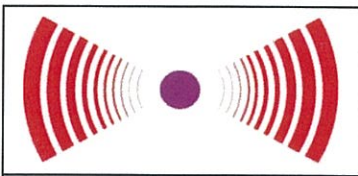
SPECIFICATIONS:

No.	Item	Unit	Specification
1	Sound Pressure @30cm	dB	98
2	Rated voltage	VDC	24
3	Operating Voltage	VDC	6 ~ 28
4	Oscillating Frequency	Hz	2800 +/- 500
5	Max current @ 24VDC	mA	26
6	Tone		Continuous / Slow Pulse
7	Operating Temperature	C	-20 to +60
8	Storage Temperature	C	-30 to + 70
9	Material		ABS
10	Environmental		RoHS
11	Weight	g	40

DIMENSIONS / SOUND CHART:



Transducers USA
Confidential and Proprietary



Transducers USA
1400 Howard Street
Elk Grove, IL 60007
Toll Free: 800-956-1920 FAX: 847-956-1950
www.tusainc.com info@tusainc.com

All dimensions are in MM unless otherwise specified

Drawing Number:
TRIP-657SAS

Title:
Panel Mt Piezo Buzzer

Date:
2/27/2014

THE INFORMATION DISCLOSED HEREIN WAS ORIGINATED BY AND IS THE PROPERTY OF TRANSDUCERS USA, INC. AND EXCEPT FOR USE EXPRESSLY GRANTED TO THE UNITED STATES GOVERNMENT, TRANSDUCERS USA, INC. RESERVES ALL PATENT PROPRIETARY DESIGN, USE, SALE, MANUFACTURING AND PRODUCTION RIGHTS THERETO. THIS DOES NOT APPLY TO VENDOR