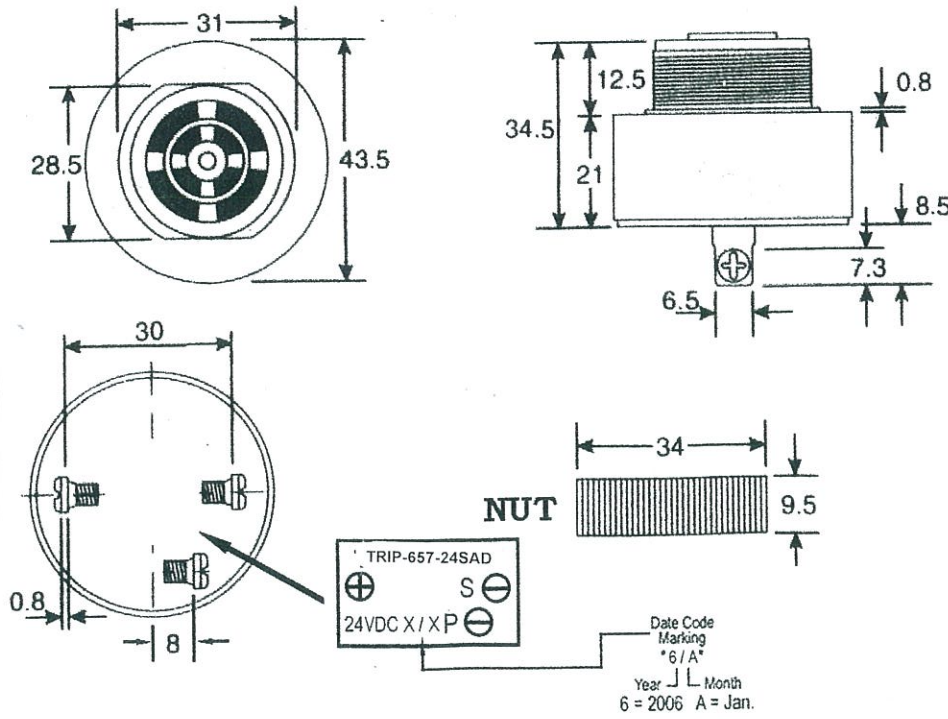


SCOPE: This specification applies Piezo Element **TRIP-657-24SAD**

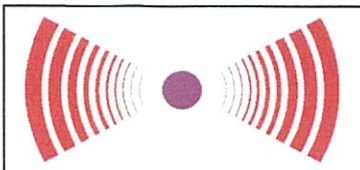
SPECIFICATIONS.

| No. | Item | Unit | Specification | Condition |
|-----|-------------------------|------|------------------------|------------------------------|
| 1 | Operating Voltage Range | VDC | 4.0 ~ 28 | |
| 2 | Rated Voltage | VDC | 24 | |
| 3 | Max Operating current | mA | 30.0 / 20.0 | Value applying rated voltage |
| 4 | Sound Pressure Level | dBA | Min 85 / 80 | 30cm at rated voltage |
| 5 | Resonant Frequency | Hz | 2900 +/-500 | |
| 6 | Tone | | Dual Continuous / Slow | |
| 7 | Operating Temp | C | -20 ~ +60 | |
| 8 | Housing | | ABS | |
| 9 | Terminal | | Screw | |
| 10 | Weight | g | 35 | |

DIMENSIONS.



Transducers USA
 Confidential and Proprietary



Transducers USA
 1400 Howard Street
 Elk Grove, IL 60007
 Toll Free: 888-921-6400 FAX: 847-956-1950
www.tusainc.com info@tusainc.com

All dimensions are in MM unless otherwise specified

Drawing Number:
TRIP-657-24SAD

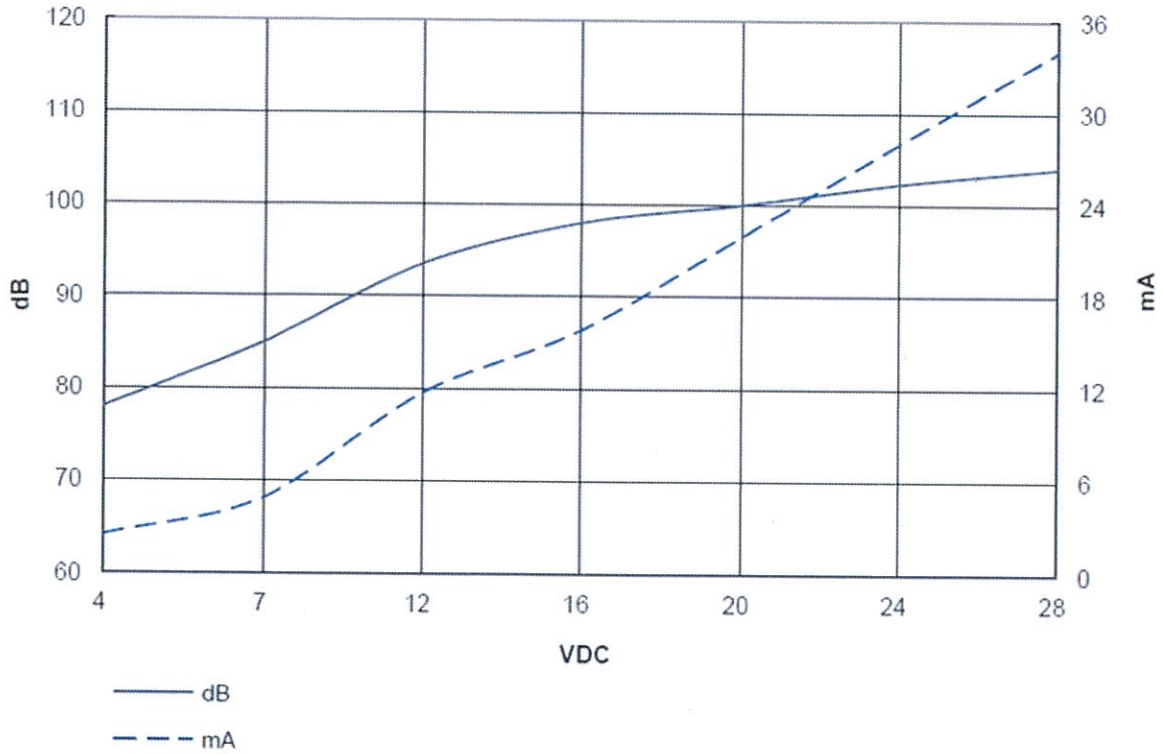
Piezo Buzzer
1 of 2

Date:
 12/17/2015

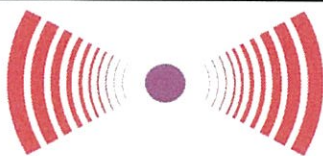
THE INFORMATION DISCLOSED HEREIN WAS ORIGINATED BY AND IS THE PROPERTY OF TRANSDUCERS USA, INC. AND EXCEPT FOR USE EXPRESSLY GRANTED TO THE UNITED STATES GOVERNMENT, TRANSDUCERS USA, INC. RESERVES ALL PATENT PROPRIETARY DESIGN, USE, SALE, MANUFACTURING AND PRODUCTION RIGHTS THERETO. THIS DOES NOT APPLY TO VENDOR

SOUND CURVE

Single Tone



Transducers USA
Confidential and Proprietary



Transducers USA
1400 Howard Street
Elk Grove, IL 60007
Toll Free: 888-921-6400 FAX: 847-956-1950
www.tusainc.com info@tusainc.com

All dimensions are in MM unless otherwise specified

Drawing Number:

TRIP-657-24SAD

**Piezo Buzzer
2 of 2**

Date:

12/17/2015

THE INFORMATION DISCLOSED HEREIN WAS ORIGINATED BY AND IS THE PROPERTY OF TRANSDUCERS USA, INC. AND EXCEPT FOR USE EXPRESSLY GRANTED TO THE UNITED STATES GOVERNMENT, TRANSDUCERS USA, INC. RESERVES ALL PATENT PROPRIETARY DESIGN, USE, SALE, MANUFACTURING AND PRODUCTION RIGHTS THERETO. THIS DOES NOT APPLY TO VENDOR