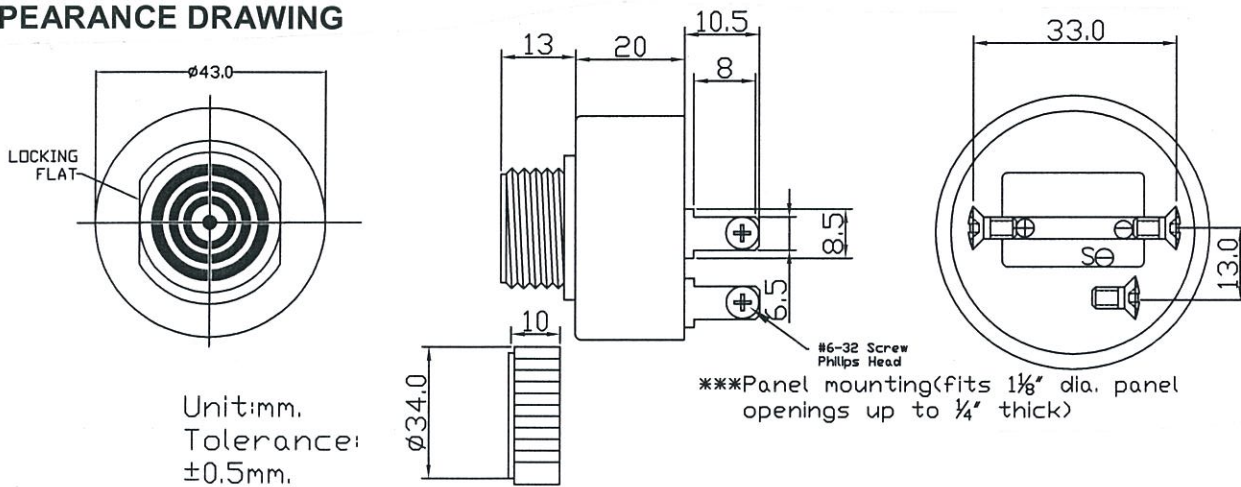


**SCOPE:** This specification applies to Piezo Buzzer, TRIP-655SA

**SPECIFICATIONS**

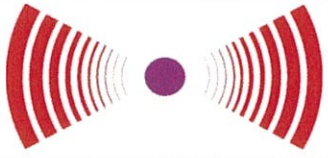
No.	Item	Unit	Specification	Condition
1	Oscillating frequency	Hz	2900 +/- 500	
2	Operating voltage	VDC	6 ~ 28	
3	Current consumption	mA	12	@ 12VDC
4	Sound pressure level	dB	Min 95	@ 30cm
5	Rated Voltage	VDC	12	
6	Tone		Continuous & Fast	
7	Operating Temp	C	-20 ~ +60	
8	Storage Temperature	C	-30 ~ +70	
9	Weight	g	36	
10	Environmental		RoHS	

**APPEARANCE DRAWING**



Unit:mm.  
Tolerance:  
 $\pm 0.5$ mm.

Transducers USA  
Confidential and Proprietary



**Transducers USA**  
1400 Howard Street  
Elk Grove, IL 60007  
Toll Free: 888-921-6400 FAX: 847-956-1950  
[www.tusainc.com](http://www.tusainc.com) info@tusainc.com

All dimensions are in MM unless otherwise specified

Drawing Number:  
**TRIP-655SA**

**Panel Mount Piezo Buzzer**

Date:  
1/23/2006

THE INFORMATION DISCLOSED HEREIN WAS ORIGINATED BY AND IS THE PROPERTY OF TRANSDUCERS USA, INC. AND EXCEPT FOR USE EXPRESSLY GRANTED TO THE UNITED STATES GOVERNMENT, TRANSDUCERS USA, INC. RESERVES ALL PATENT PROPRIETARY DESIGN, USE, SALE, MANUFACTURING AND PRODUCTION RIGHTS THERETO. THIS DOES NOT APPLY TO VENDOR