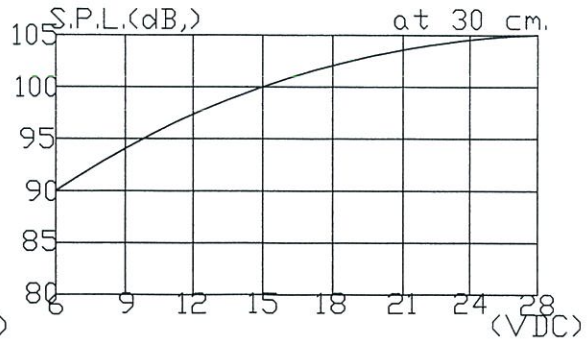
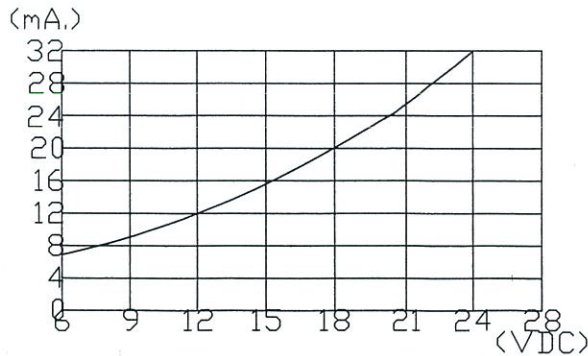
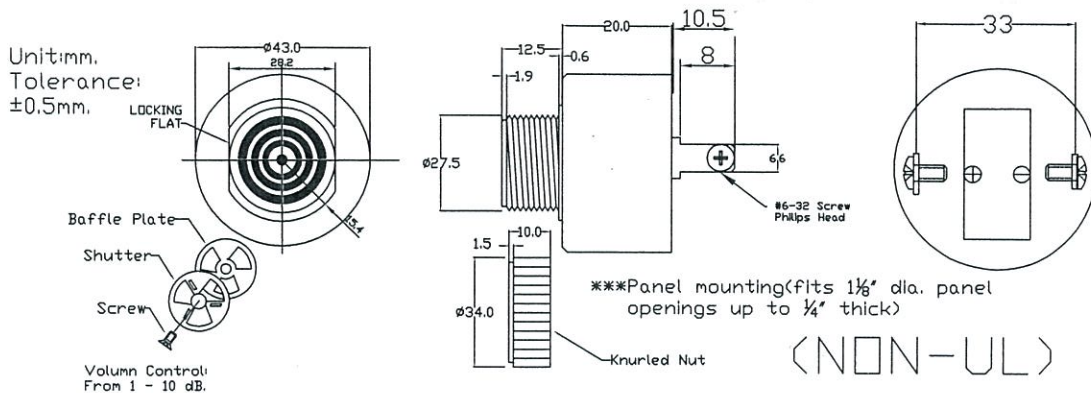


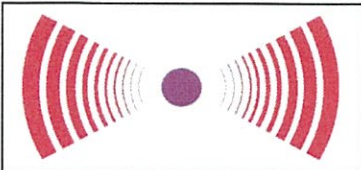
**SCOPE:** This specification applies Panel Mount Buzzer with Volume Control **TRIP-653SAS**

**SPECIFICATION:**

No.	Item	Unit	Specification	Condition
1	Oscillating frequency	Hz	2900 +/- 500	
2	Operating voltage	DC	6 ~ 28	
3	Sound pressure level	dB	92dB at 12VDC	@ 30cm
4	Current Consumption	VDC	12	at 12VDC Max
5	Tone		Slow Pulse (1.2Hz)	
6	Operating Temp	C	-20 ~ +60	
7	Storage Temperature	C	-30 ~ +70	
8	Weight	g	36	
9	Environmental		RoHS	



**Transducers USA**  
Confidential and Proprietary



**Transducers USA**  
1400 Howard Street  
Elk Grove, IL 60007  
Toll Free: 888-921-6400 FAX: 847-956-1950  
[www.tusainc.com](http://www.tusainc.com) info@tusainc.com

All dimensions are in MM unless otherwise specified

Drawing Number:  
**TRIP-653SAS**

**Panel Mount Buzzer**  
**With Volume Control**

Date:  
02/01/2009

THE INFORMATION DISCLOSED HEREIN WAS ORIGINATED BY AND IS THE PROPERTY OF TRANSDUCERS USA, INC. AND EXCEPT FOR USE EXPRESSLY GRANTED TO THE UNITED STATES GOVERNMENT, TRANSDUCERS USA, INC. RESERVES ALL PATENT PROPRIETARY DESIGN, USE, SALE, MANUFACTURING AND PRODUCTION RIGHTS THERETO. THIS DOES NOT APPLY TO VENDOR