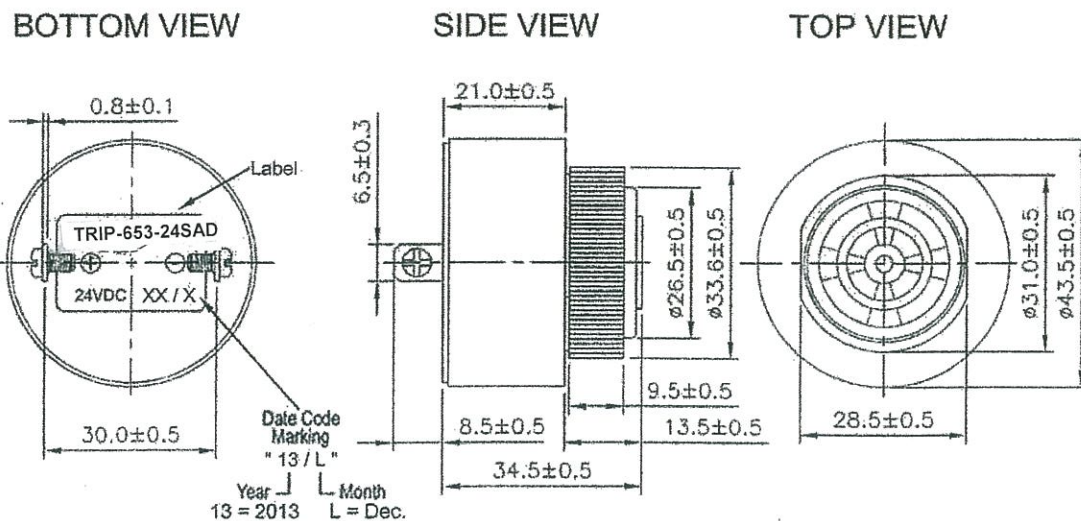


SCOPE. This specification applies to Piezo Element **TRIP-653-24SAD**

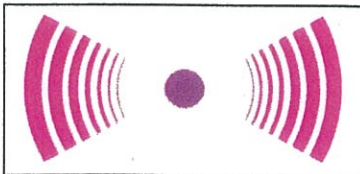
1. SPECIFICATIONS.

No.	Item	Unit	Specification
1	Operating Voltage	VDC	4.0 ~ 28
2	Rated Voltage	VDC	24
3	Current Consumption	mA	Max .25
4	Sound Pressure	dB	Min 80 @ 30cm
5	Resonant Frequency	Hz	2900 +/- 500
6	Tone		Slow Pulse
7	Operating Temperature	C	-20 to +60
8	Storage Temperature	C	-30 to + 80
9	Terminal		Plate
10	Material		ABS
11	Environmental		RoHS
12	Weight	g	35

2. DIMENSIONS.



Transducers USA
Confidential and Proprietary



Transducers USA
1400 Howard Street
Elk Grove, IL 60007
Toll Free: 888-921-6400 FAX: 847-956-1950
www.tusainc.com info@tusainc.com

All dimensions are in MM unless otherwise specified

Drawing Number:
TRIP-653-24SAD

Piezo Audio Indicator

Date:
12/16/2013

THE INFORMATION DISCLOSED HEREIN WAS ORIGINATED BY AND IS THE PROPERTY OF TRANSDUCERS USA, INC. AND EXCEPT FOR USE EXPRESSLY GRANTED TO THE UNITED STATES GOVERNMENT, TRANSDUCERS USA, INC. RESERVES ALL PATENT PROPRIETARY DESIGN, USE, SALE, MANUFACTURING AND PRODUCTION RIGHTS THERETO. THIS DOES NOT APPLY TO VENDOR