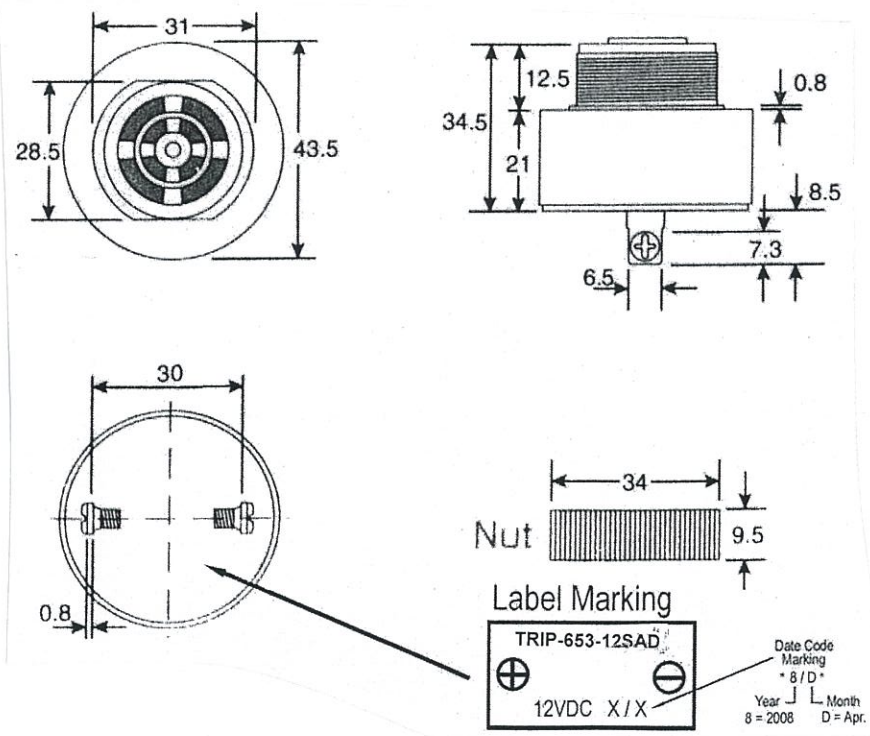


SCOPE: This specification applies to Panel Mt Piezo Buzzer **TRIP-653-12SAD**

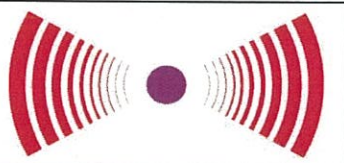
SPECIFICATIONS:

No.	Item	Unit	Specification	Condition
1	Operating Voltage Range	VDC	4.0 ~ 16.0	
2	Rated Voltage	VDC	12	
3	Max rated current	mA	20.0	
4	Sound Pressure Level	dBA	90	30 cm @ rated Voltage
5	Frequency	Hz	2900 +/- 500	
6	Tone		Slow Pulse	
7	Operating Temp	C	-20 ~ +60	
8	Terminal		Screw	
9	Case material		ABS	
10	Weight	g	35	

APPEARANCE DRAWING:



Transducers USA
Confidential and Proprietary



Transducers USA
1400 Howard Street
Elk Grove, IL 60007
Toll Free: 888-921-6400 FAX: 847-956-1950
www.tusainc.com info@tusainc.com

All dimensions are in MM unless otherwise specified

Drawing Number:
TRIP-653-12SAD

12VDC Panel Mt Buzzer

Date:
4/10/2008

THE INFORMATION DISCLOSED HEREIN WAS ORIGINATED BY AND IS THE PROPERTY OF TRANSDUCERS USA, INC. AND EXCEPT FOR USE EXPRESSLY GRANTED TO THE UNITED STATES GOVERNMENT, TRANSDUCERS USA, INC. RESERVES ALL PATENT PROPRIETARY DESIGN, USE, SALE, MANUFACTURING AND PRODUCTION RIGHTS THERETO. THIS DOES NOT APPLY TO VENDOR