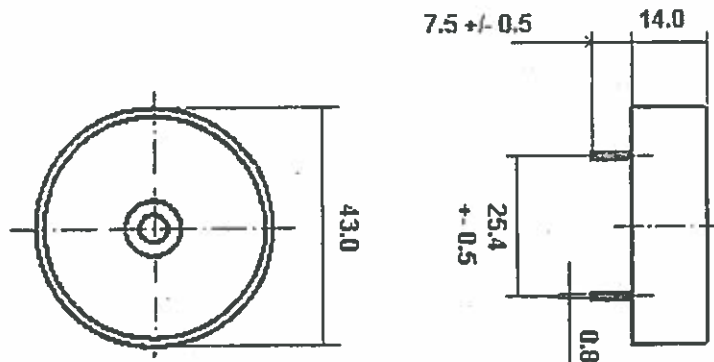


SCOPE: This specification applies to Piezo buzzer TRIP-4330P-A(G)

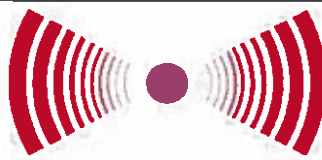
SPECIFICATIONS:

No.	Item	Unit	Specification	Condition
1	Rated voltage	VDC	12	
2	Operating Voltage	VDC	3 ~ 15	
3	Max rated current	mA	<25	At rated voltage
4	Sound Pressure Level	dBA	105 Min	At rated voltage, 30cm
5	Resonant frequency	Hz	2900 +/- 500	
6	Tone		Continuous	
7	Operating Temperature	C	-20 ~ +60	
8	Storage Temperature	C	-30 ~ +70	
9	Environmental		RoHS	

DIMENSIONS:



Transducers USA
Confidential and Proprietary



Transducers USA
1400 Howard Street
Elk Grove, IL 60007
Toll Free: 888-921-6400 FAX: 847-956-1950
www.tusainc.com info@tusainc.com

All dimensions are in MM unless otherwise specified

Drawing Number:
TRIP-4330P-A(G)

Piezo Internal Buzzer

Date:
05/22/2001

THE INFORMATION DISCLOSED HEREIN WAS ORIGINATED BY AND IS THE PROPERTY OF TRANSDUCERS USA, INC. AND EXCEPT FOR USE EXPRESSLY GRANTED TO THE UNITED STATES GOVERNMENT TRANSDUCERS USA, INC. RESERVES ALL PATENT PROPRIETARY DESIGN, USE, SALE, MANUFACTURING AND PRODUCTION RIGHTS THERETO. THIS DOES NOT APPLY TO VENDOR