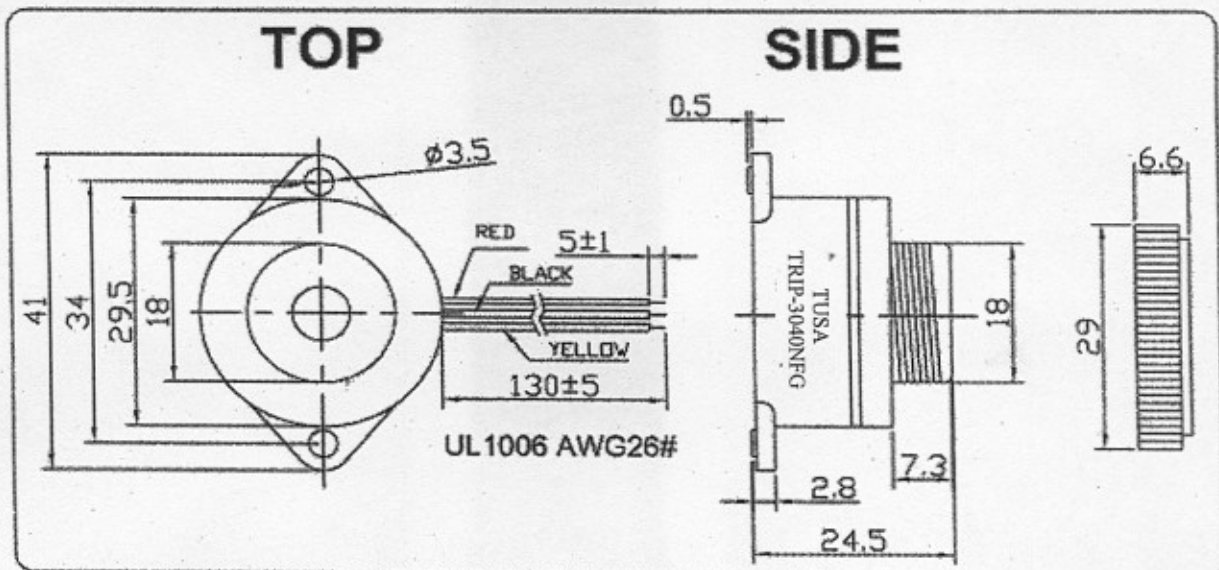


## 1. SPECIFICATIONS

PARAMETERS	VALUES	UNITS
*MIN SOUND PRESSURE LEVEL AT 30 CM	90 / 85	dB
RATED VOLTAGE	12	Vdc
OPERATING VOLTAGE	3 - 15	Vdc
RESONANCE FREQUENCY	3,700 ± 500	Hz
*MAX CURRENT	20	mA
tone	Continuous / Pulse	-
OPERATING TEMPERATURE	-20 to +60	°C
STORAGE TEMPERATURE	-30 to +70	°C
HOUSING	ABS	-
WEIGHT	15	g

\*Value applying rated voltage

## 2. DIMENSIONS (unit in mm)



Tolerance: ±0.5mm except specified

**Transducers USA**  
 1400 Howard Street  
 Elk Grove Village, IL 60007  
 Toll Free: 800 956-1920 Fax: 847 956-1950  
 www.tusainc.com info@tusainc.com



Drawing Number:  
**TRIP-3040NFG**

Title:  
**PIEZO BUZZER  
 CONTINUOUS/PULSE**

All dimensions are in MM unless otherwise specified

Date: 7/23/10

THE INFORMATION DISCLOSED HEREIN WAS ORIGINATED BY AND IS THE PROPERTY OF TRANSDUCERS USA, INC. AND EXCEPT FOR USES EXPRESSLY GRANTED TO THE UNITED STATES GOVERNMENT, TRANSDUCERS USA, INC. RESERVES ALL PATENT PROPRIETARY DESIGN, USE, SALE, MANUFACTURING AND REPRODUCTION RIGHTS THERETO. THIS DOES NOT APPLY TO VENDOR PARTS