

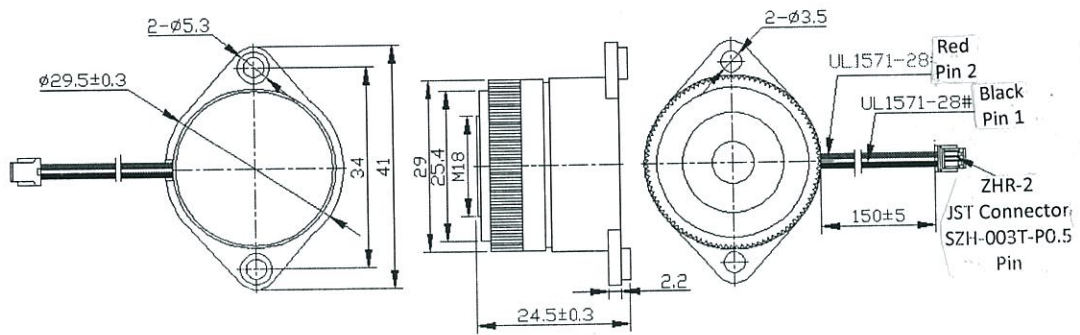
SCOPE: This specification applies to Piezo buzzer **TRIP-250LCSC**

SPECIFICATIONS:

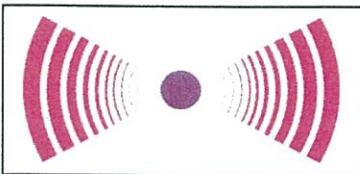
No.	Item	Unit	Specification	Condition
1	Rated voltage	VDC	12	
2	Operating Voltage	VDC	3 ~ 24	
3	Max rated current	mA	Max 18	@12VDC
4	Sound Pressure Level	dBA	90 Min	12 VDC@ 30cm
5	Rated frequency	Hz	3700 +/- 500	at rated voltage
6	Tone		Continuous	
7	Operating Temperature	C	-20 ~ +70	
8	Storage Temperature	C	-30 ~ +80	
9	Weight	g	11.8	

DIMENSIONS:

(Unit: mm)



Transducers USA
Confidential and Proprietary



Transducers USA
1400 Howard Street
Elk Grove, IL 60007
Toll Free: 888-921-6400 FAX: 847-956-1950
www.tusainc.com info@tusainc.com

All dimensions are in MM unless otherwise specified

Drawing Number:
TRIP-250LCSC

**Piezo buzzer
with Leads and 2 pos
connector**

Date:
2/27/2008

THE INFORMATION DISCLOSED HEREIN WAS ORIGINATED BY AND IS THE PROPERTY OF TRANSDUCERS USA, INC. AND EXCEPT FOR USE EXPRESSLY GRANTED TO THE UNITED STATES GOVERNMENT TRANSDUCERS USA, INC. RESERVES ALL PATENT PROPRIETARY DESIGN, USE, SALE, MANUFACTURING AND PRODUCTION RIGHTS THERETO. THIS DOES NOT APPLY TO VENDOR