

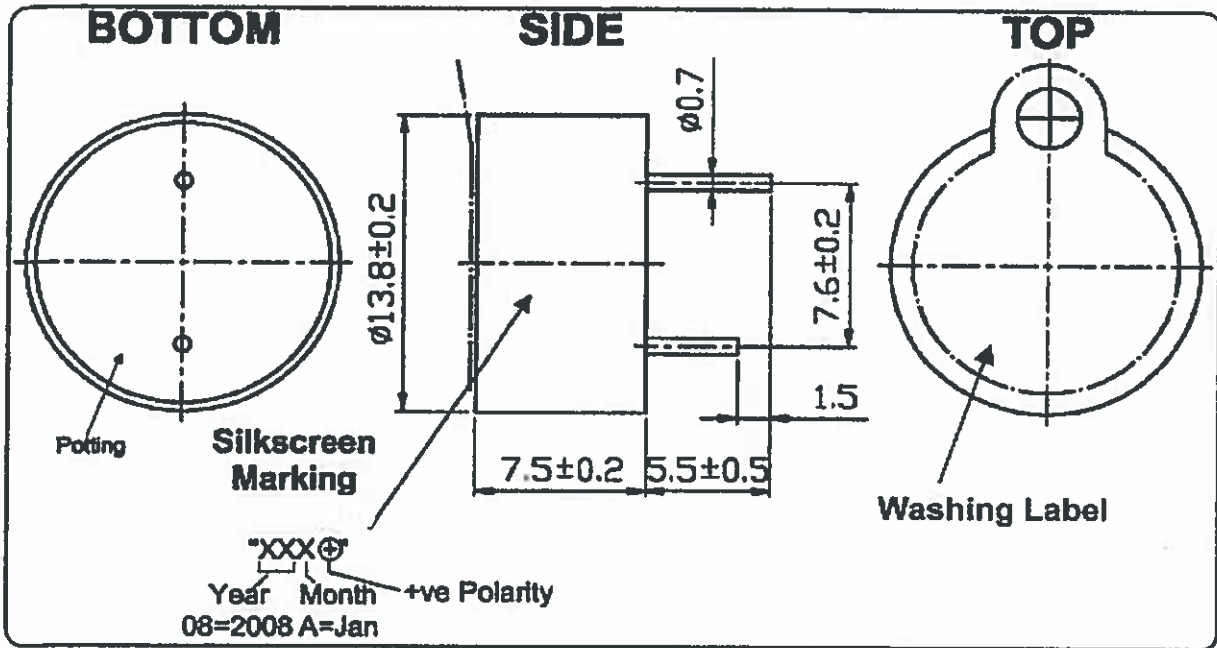
SCOPE. This specification applies to Piezo Buzzer, TRIP-1412P(G)

SPECIFICATIONS.

PARAMETERS	VALUES	UNITS
*MIN SOUND PRESSURE LEVEL AT 10 CM	80	dBA
RATED VOLTAGE	12	Vdc
OPERATING VOLTAGE	3 - 16	Vdc
RESONANCE FREQUENCY	4,000 ± 500	Hz
*MAX CURRENT	7	mA
-tone	SINGLE	-
OPERATING TEMPERATURE	-20 to +70	°C
STORAGE TEMPERATURE	-30 to +80	°C
HOUSING	NORYL	-
WEIGHT	1	g

*Value applying rated voltage

DIMENSIONS.



Tolerance: ±0.5mm except specified

Transducers USA
Confidential and Proprietary



Transducers USA
1400 Howard Street
Elk Grove, IL 60007
Toll Free: 888-921-6400 FAX: 847-956-1950
www.tusainc.com info@tusainc.com

All dimensions are in MM unless otherwise specified

Drawing Number: TRIP-1412P(G)	Piezo Buzzer
----------------------------------	--------------

Date: 12/17/2007	THE INFORMATION DISCLOSED HEREIN WAS ORIGINATED BY AND IS THE PROPERTY OF TRANSDUCERS USA, INC. AND EXCEPT FOR USE EXPRESSLY GRANTED TO THE UNITED STATES GOVERNMENT, TRANSDUCERS USA, INC. RESERVES ALL PATENT PROPRIETARY DESIGN, USE, SALE, MANUFACTURING AND PRODUCTION RIGHTS THERETO. THIS DOES NOT APPLY TO VENDOR
---------------------	---