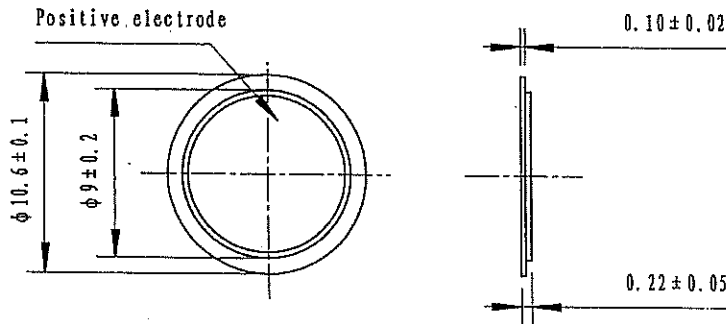


**SCOPE**

This specification applies to Piezo: TRPB-1110

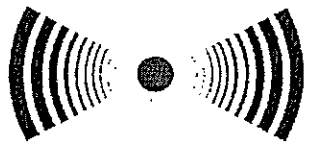
Item	Unit	Standard	(Test condition): T=25°C
Resonant frequency	kHz	14.0±2.0	PV70A
Main electrostatic capacity	pF	9000±30%	Digital electric bridge At 1000Hz/1V
Resonant impedance	Ω	1000 MAX.	PV70A
Metal plate material	...	SUS304	...
Metal plate diameter	mm	10.6±0.1	Vernier caliper
Metal plate thickness	mm	0.10±0.02	Micrometer
Ceramic diameter	mm	9.0±0.20	Vernier caliper
Total height	mm	0.22±0.05	Micrometer
Insulation resistance	MΩ	100 MIN.	Insulation resistance tester At 50V
Maximum input voltage	Vp-p	30	...
Operating temperature range	°C	-20 to +70	...
Storage temperature range	°C	-30 to +80	...

**APPEARANCE AND DIMENSIONS:**



Remark: The Pb in ceramic is exempt, other ingredients are all ROHS compliant

Transducers USA  
Confidential and Proprietary



Transducers USA  
1400 Howard Street  
Elk Grove, IL 60007  
Toll Free: 800-956-1920 FAX: 847-956-1950  
[www.tusainc.com](http://www.tusainc.com) [info@tusainc.com](mailto:info@tusainc.com)

All dimensions are in MM unless otherwise specified

Drawing Number:  
**TRPB-1110**

PIEZO CERAMIC BENDER  
Page 1/2

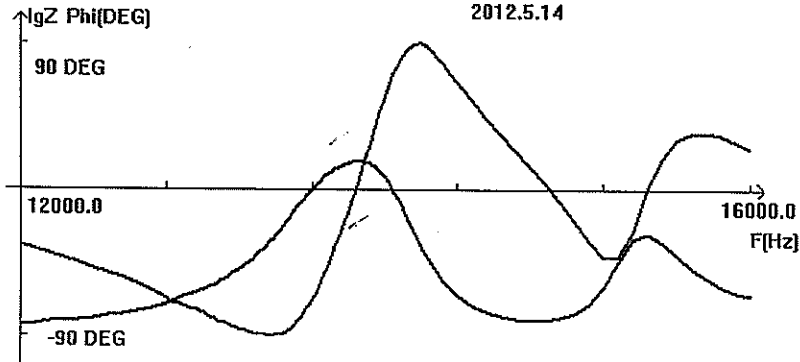
Date:  
**10/02/2009**

THE INFORMATION DISCLOSED HEREIN WAS ORIGINATED BY AND IS THE PROPERTY OF TRANSDUCERS USA, INC. AND EXCEPT FOR USE EXPRESSLY GRANTED TO THE UNITED STATES GOVERNMENT, TRANSDUCERS USA, INC. RESERVES ALL PATENT PROPRIETARY DESIGN, USE, SALE, MANUFACTURING AND PRODUCTION RIGHTS THERE TO. THIS DOES NOT APPLY TO VENDOR

**SCOPE**

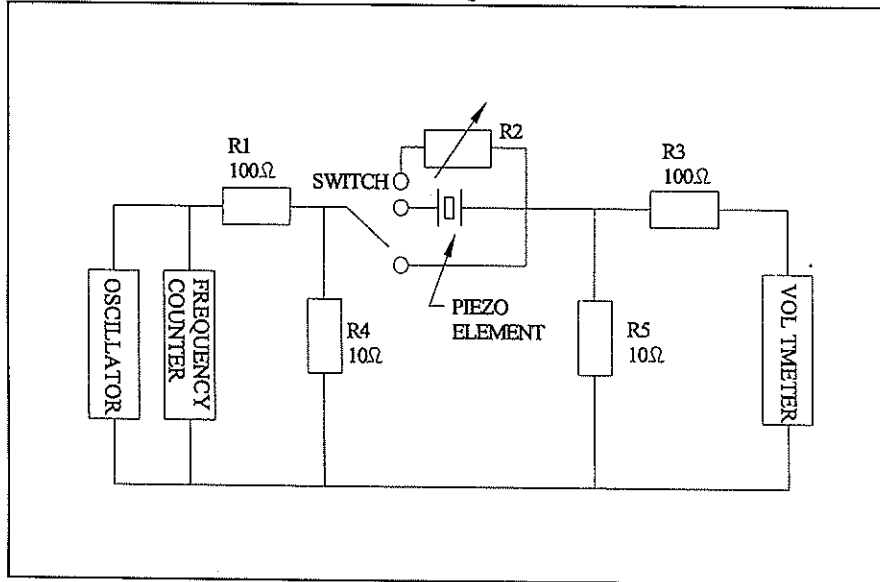
This specification applies to Piezo: TRPB-1110

**■ TYPICAL FREQUENCY RESPONSE CURVE**

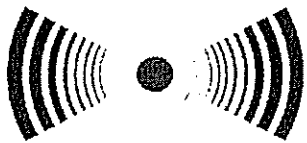


**■ MEASURING PROCEDURE**

The node held with a measuring terminal, the resonant frequency and resonant impedance are measured in the constant-voltage circuit.



Transducers USA  
Confidential and Proprietary



Transducers USA  
1400 Howard Street  
Elk Grove, IL 60007  
Toll Free: 800-956-1920 FAX: 847-956-1950  
[www.tusainc.com](http://www.tusainc.com) [info@tusainc.com](mailto:info@tusainc.com)

All dimensions are in MM unless otherwise specified

Drawing Number:  
**TRPB-1110**

**PIEZO CERAMIC BENDER**  
Page 2/2

Date:  
**10/02/2009**

THE INFORMATION DISCLOSED HEREIN WAS ORIGINATED BY AND IS THE PROPERTY OF TRANSDUCERS USA, INC. AND EXCEPT FOR USE EXPRESSLY GRANTED TO THE UNITED STATES GOVERNMENT, TRANSDUCERS USA, INC. RESERVES ALL PATENT PROPRIETARY DESIGN, USE, SALE, MANUFACTURING AND PRODUCTION RIGHTS THERETO. THIS DOES NOT APPLY TO VENDOR